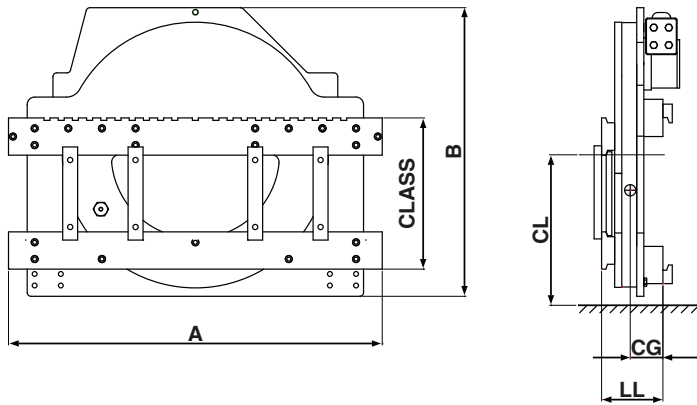


ROTATORS

TOTALSOURCE®

FEATURED PRODUCTS



LIFT TRUCK ATTACHMENT



TVH in the Americas is proud to introduce the new CAM® Rotators. The CAM® rotator is used in applications where a solution is required to revolve the load in either direction with palletized containers, boxes, drums or just the forks.

This attachment can be used in several industries, from manufacturing to food processing plants. The CAM® rotator is manufactured with high quality materials and components for durability and dependability.

- Center opening gives great visibility for the operator
- PRC models have a 360° rotation capability
- Standard forks can be fitted by securing them in place with the fork locking bars supplied
- One hydraulic function

PART #	CAPACITY KG/ 500 MM	CAPACITY LB/ 19.685 IN	A MM	A IN	B MM	B IN	CL MM	CL IN	ROTATING TORQUE KN.M/ 140 BAR	ROTATING TORQUE LB-FORCE.FT/ 2030.5 PSI	RPM/ MIN	LL MM	LL IN	CG MM	CG IN	WEIGHT KG	WEIGHT LB	CLASS
SYPRC18D	1800 kg	4000	900mm	35.43"	742mm	29.21"	314mm	12.36"	4	2950.24	5.5	155	6.1	80	3.15	210	463	2
SYPRC22D	2200 kg	5000	1000mm	39.37"	775mm	30.51"	314mm	12.36"	5.5	4056.58	4.8	160	6.3	80	3.15	230	507	2
SYPRC28D	2800 kg	6000	1150mm	45.27"	775mm	30.51"	415mm	16.33"	6.8	5015.41	3.4	170	6.7	85	3.34	305	672	3
SYPRC32D	3200 kg	7000	1150mm	45.27"	775mm	30.51"	415mm	16.33"	8.5	6269.26	2.8	175	6.9	85	3.34	325	716.5	3