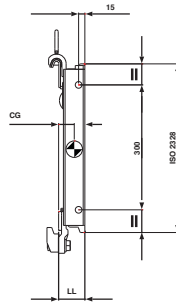
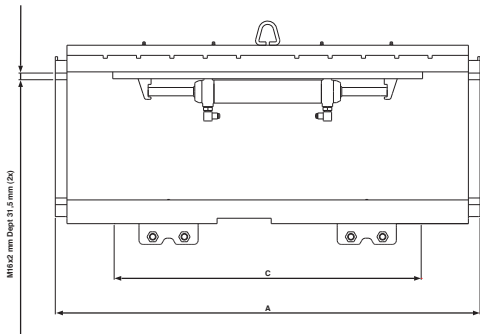


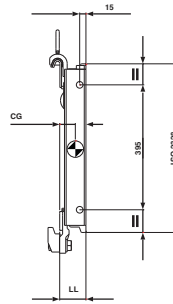
SLIM SIDESHIFTERS CLASS II

TOTAL SOURCE®

FEATURED PRODUCTS



CLASS II



CLASS III



We're expanding our line of CAM Sideshifters

Sidesifter Features:

- Available in the popular ISO Class 2 and 3
- Cylinder can easily be removed for maintenance and replacement
- Equipped with pre-drilled holes for mounting of load backrest
- All wear parts are equipped with grease zerk
- Slim profile to reduce lost load
- Quick installation options and easy to maintain
- High wear replacement parts available



LIFT TRUCK ATTACHMENT

PART #	CAPACITY KG/500MM	CAPACITY LB/19.685IN	A MM	A IN	B MM	B IN	LL MM	LL IN	CG MM	CG IN	WEIGHT KG	WEIGHT LB	STROKE MM	STROKE IN
SY225.080-SLIM	2500 kg	5500lb	800mm	31.5"	800mm	31.5"	63 mm	2.48"	32mm	1.26"	46 kg	101.41 lb	100+100mm	3.94+3.94
SY225.092-SLIM	2500 kg	5500lb	920mm	36.22"	800mm	31.5"	63 mm	2.48"	32mm	1.26"	50 kg	110.23 lb	100+100mm	3.94+3.94
SY225.094-SLIM	2500 kg	5500lb	940mm	37"	800mm	31.5"	63 mm	2.48"	32mm	1.26"	51 kg	112.44 lb	100+100mm	3.94+3.94
SY225.098-SLIM	2500 kg	5500lb	980mm	35.58"	800mm	31.5"	63 mm	2.48"	32mm	1.26"	52 kg	114.64 lb	100+100mm	3.94+3.94
SY225.100-SLIM	2500 kg	5500lb	1000mm	39.37"	800mm	31.5"	63 mm	2.48"	32mm	1.26"	53 kg	116.84 lb	100+100mm	3.94+3.94
SY225.104-SLIM	2500 kg	5500lb	1040mm	40.94"	800mm	31.5"	63 mm	2.48"	32mm	1.26"	55 kg	121.25 lb	100+100mm	3.94+3.94
SY225.107-SLIM	2500 kg	5500lb	1070mm	42.13"	800mm	31.5"	63 mm	2.48"	32mm	1.26"	56 kg	123.46 lb	100+100mm	3.94+3.94
SY225.110-SLIM	2500 kg	5500lb	1100mm	43.3"	800mm	31.5"	63 mm	2.48"	32mm	1.26"	57 kg	125.66 lb	100+100mm	3.94+3.94
SY225.115-SLIM	2500 kg	5500lb	1150mm	45.28"	800mm	31.5"	63 mm	2.48"	32mm	1.26"	64 kg	141.1 lb	100+100mm	3.94+3.94
SY225.125-SLIM	2500 kg	5500lb	1250mm	49.21"	1000mm	39.37"	63 mm	2.48"	32mm	1.26"	66 kg	145.51 lb	100+100mm	3.94+3.94
SY225.140-SLIM	2500 kg	5500lb	1400mm	55.11"	1000mm	39.37"	63 mm	2.48"	32mm	1.26"	72 kg	158.73 lb	100+100mm	3.94+3.94

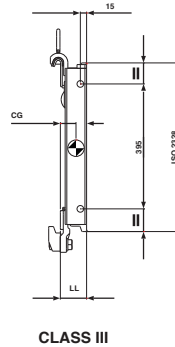
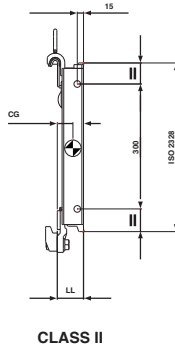
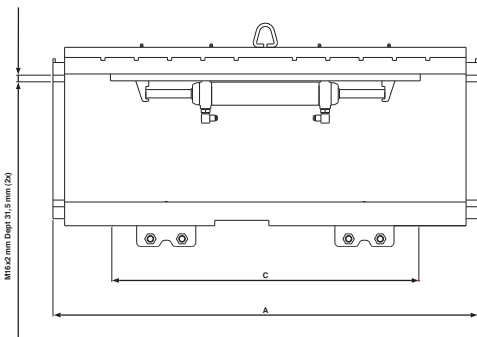
**SPARE PARTS
SIDESHIFTER**

DESCRIPTION	DESCRIPTION
SYSH225.200.02	LOWER SLIDE PLATE (INCLUDING GREASE NIPPLE)
SYSH225.300.01	LOWER HOOK
SYSH225.300.02	BOLT ASSY
SYMTC4520.200.K	SEAL KIT
SYSH225.200.K	PLASTIC SLIDE PLATE
SYMTC4520.200	CYLINDER ASSY
SYSH225.300.05	FITTING ASSY

SLIM SIDESHIFTERS CLASS III

TOTAL SOURCE®

FEATURED PRODUCTS



We're expanding our line of CAM Sideshifters

Sidesifter Features:

- Available in the popular ISO Class 2 and 3
- Cylinder can easily be removed for maintenance and replacement
- Equipped with pre-drilled holes for mounting of load backrest
- All wear parts are equipped with grease zerk
- Slim profile to reduce lost load
- Quick installation options and easy to maintain
- High wear replacement parts available



LIFT TRUCK ATTACHMENT.

PART #	CAPACITY KG/500MM	CAPACITY LB/19.685 IN	A MM	A IN	B MM	B IN	LL MM	LL IN	CG MM	CG IN	WEIGHT KG	WEIGHT LB	STROKE MM	STROKE IN
SY335.100-SLIM	3500 kg	7700lb	1000mm	39.37"	1000mm	39.37"	68mm	2.68"	34mm	1.34"	65 kg	143.3 lb	100+100 mm	3.94+3.94
SY335.102-SLIM	3500 kg	7700lb	1020mm	40.16"	1000mm	39.37"	68mm	2.68"	34mm	1.34"	66 kg	145.51 lb	100+100 mm	3.94+3.94
SY335.115-SLIM	3500 kg	7700lb	1150mm	45.28"	1000mm	39.37"	68mm	2.68"	34mm	1.34"	72 kg	158.73 lb	100+100 mm	3.94+3.94
SY335.120-SLIM	3500 kg	7700lb	1200mm	47.24"	1000mm	39.37"	68mm	2.68"	34mm	1.34"	75 kg	165.35 lb	100+100 mm	3.94+3.94
SY335.130-SLIM	3500 kg	7700lb	1300mm	51.18"	1000mm	39.37"	68mm	2.68"	34mm	1.34"	79 kg	174.17 lb	100+100 mm	3.94+3.94
SY335.140-SLIM	3500 kg	7700lb	1400mm	55.12"	1100mm	43.31"	68mm	2.68"	34mm	1.34"	90 kg	198.42 lb	100+100 mm	3.94+3.94

SPARE PARTS

SIDESHIFTER	DESCRIPTION
SYSH335.200.01	UPPER SLIDE PLATE
SYSH335.200.02	LOWER SLIDE PLATE (INCLUDING GREASE NIPPLE)
SYSH225.300.01	LOWER HOOK
SYSH225.300.02	BOLT ASSY
SYMTC5020.200.K	SEAL KIT
SYSH335.200.K	PLASTIC SLIDE PLATE
SYMTC5020.200	CYLINDER ASSY
SYSH225.300.05	FITTING ASSY